

Part number:

HYDROMA

HYDRAULICKÉ SYSTÉMY

**HIDROMA
SISTEMS**

UKŁADY HYDRAULICZNE

HYDROMA

ГИДРАВЛИЧЕСКИЕ СИСТЕМЫ

Electromagnetic Clutches - Torque 10 daNm

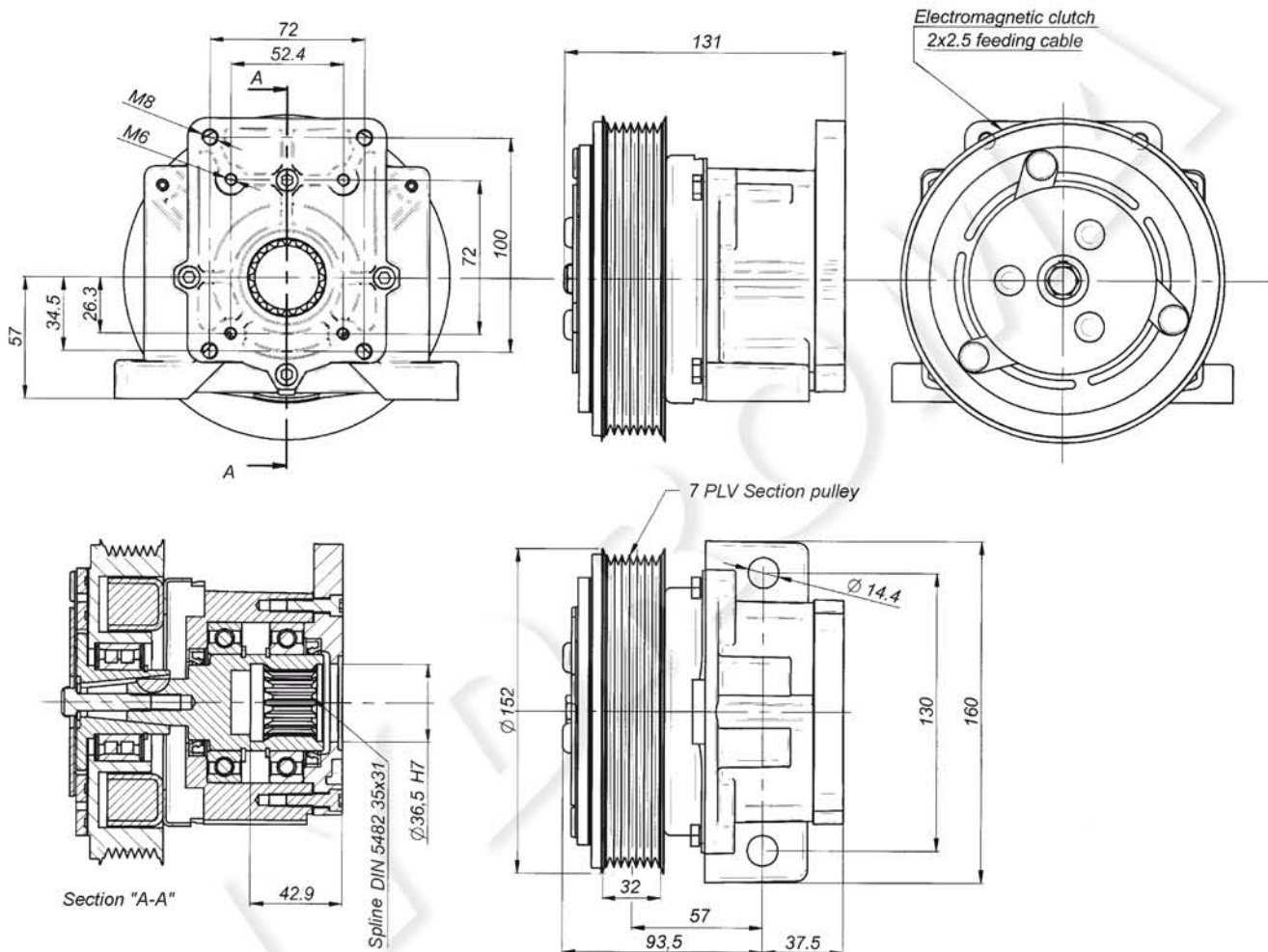
Pump Group: Gr. 1-2-3 - Gr. 2 Bosch - Gr. 3 Bosch - SAE A - SAE B

7 PLV Section Pulley

INSTALLATION DRAWING

30901-1/7: 12 Volt

30903-1/7: 24 Volt



Nominal torque	7,8 daNm		Connection time	25 ms		
Static torque	12,5 daNm		Disconnection time	40 ms		
Dynamic torque	8,5 daNm	at 500 n/min.	Minimum time between two connections	20 sec		
	7,0 daNm	at 1000 n/min.				
	4,2 daNm	at 1500 n/min.				
	3,5 daNm	at 2000 n/min.	Max speed	5000 n/min.		
	2,7 daNm	at 2500 n/min.	Weight	5,5 Kg		
2,5 daNm	at 3000 n/min.					
Electric absorption	Resistance (Ω)		Current (A)		Power (W)	
	20° C	120° C	20° C	120° C	20° C	120° C
12 V DC	4,00	5,60	3,33	2,00	40,00	24,00
24 V DC	20,00	28,00	1,26	0,77	30,30	18,18
All technical data are at 20°C / at 120 °C the performance is 20% reduced. All electromagnetic clutches are reversible.						

Electromagnetic Clutches - Torque 10 daNm

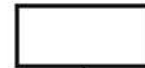
Pump Group: Gr. 1-2-3 - Gr. 2 Bosch - Gr. 3 Bosch - SAE A - SAE B

7 PLV Section Pulley

ORDER CODE

30909-1/7

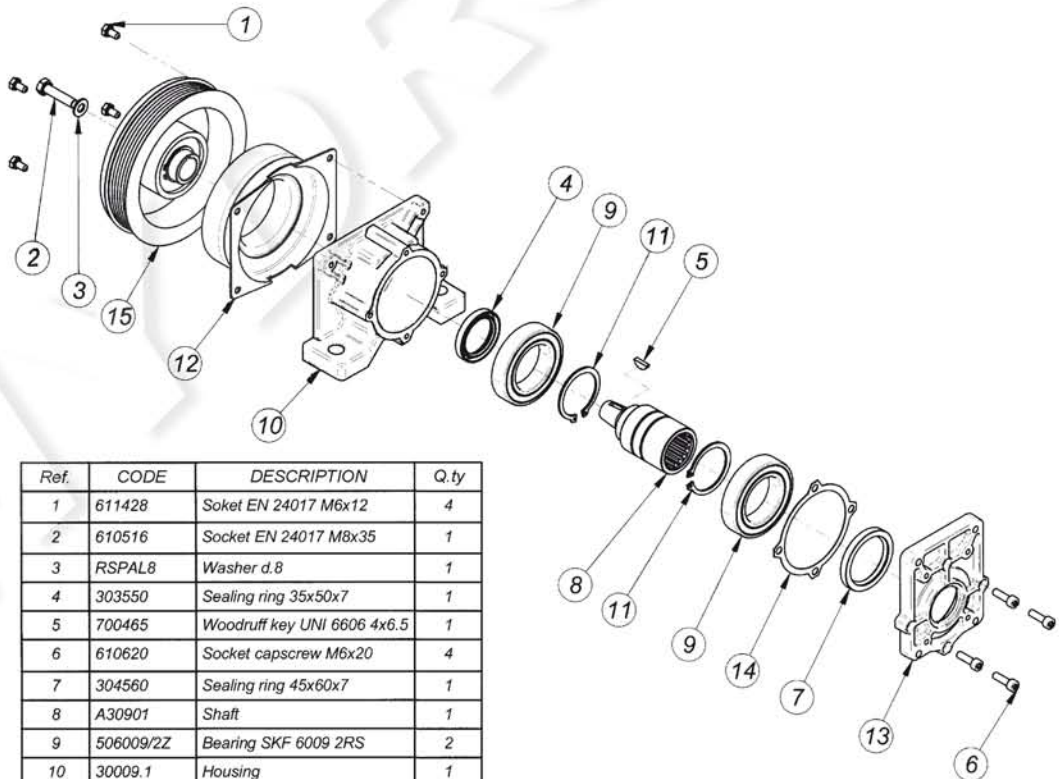
- 30803 -



Electromagnetic Clutch Torque 10 daNm - 7 PLV pulley			Flanges	
Pump Flange	Voltage	Code		
Gr. 1 - 2	12 V DC	30901-1/7	- - Gr. 1 - 2	
Gr. 1 - 2	24 V DC	30903-1/7		
Gr. 2 Bosch	12 V DC	30917-1/7	30817 - Gr. 2 Bosch	
Gr. 2 Bosch	24 V DC	30919-1/7		
Gr. 3	12 V DC	30909-1/7	30803 - Gr. 3	
Gr. 3	24 V DC	30911-1/7		
Gr. 3 Bosch	12 V DC	30925-1/7	30821 - Gr. 3 Bosch	
Gr. 3 Bosch	24 V DC	30927-1/7		
SAE A	12 V DC	30901-1/SA	30420.3 - SAE A	
SAE A	24 V DC	30903-1/SA		
SAE B	12 V DC	30901-1/7/SB	30420.1 - SAE B	
SAE B	24 V DC	30903-1/7/SB		

Special versions

SPARE PARTS LIST



Ref.	CODE	DESCRIPTION	Q.ty
1	611428	Soket EN 24017 M6x12	4
2	610516	Socket EN 24017 M8x35	1
3	RSPAL8	Washer d.8	1
4	303550	Sealing ring 35x50x7	1
5	700465	Woodruff key UNI 6606 4x6,5	1
6	610620	Socket capscREW M6x20	4
7	304560	Sealing ring 45x60x7	1
8	A30901	Shaft	1
9	506009/2Z	Bearing SKF 6009 2RS	2
10	30009.1	Housing	1
11	904500	Snap ring d.45	2
12	401210/PLV 402410/PLV	Coil	1
13	30900.1	Flange for pumps Gr 1 - 2	1
14	30009.1.1	Gasket	1
15	4010/PLV 7	Electric clutch PLV	1

Flanges for Electromagnetic Clutches 10, 14, 21 daNm

